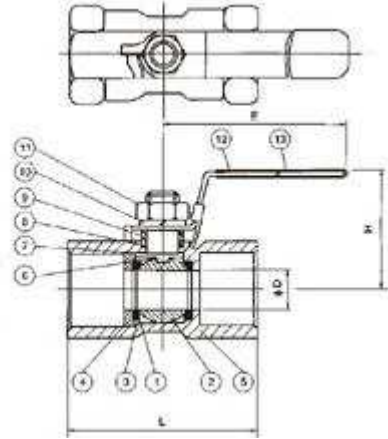




ONE PIECE MODEL BALL VALVE



Features:

One Piece Model Ball Valve

Standards Compliance

Working Pressure: 150PSI

Temperature Range: -20~232~-350 0C

Suitable medium: Water,Oil,air and some Corrosive liquid

Thread type:G.NPT.BSPT.BSP.DIN259/2999